

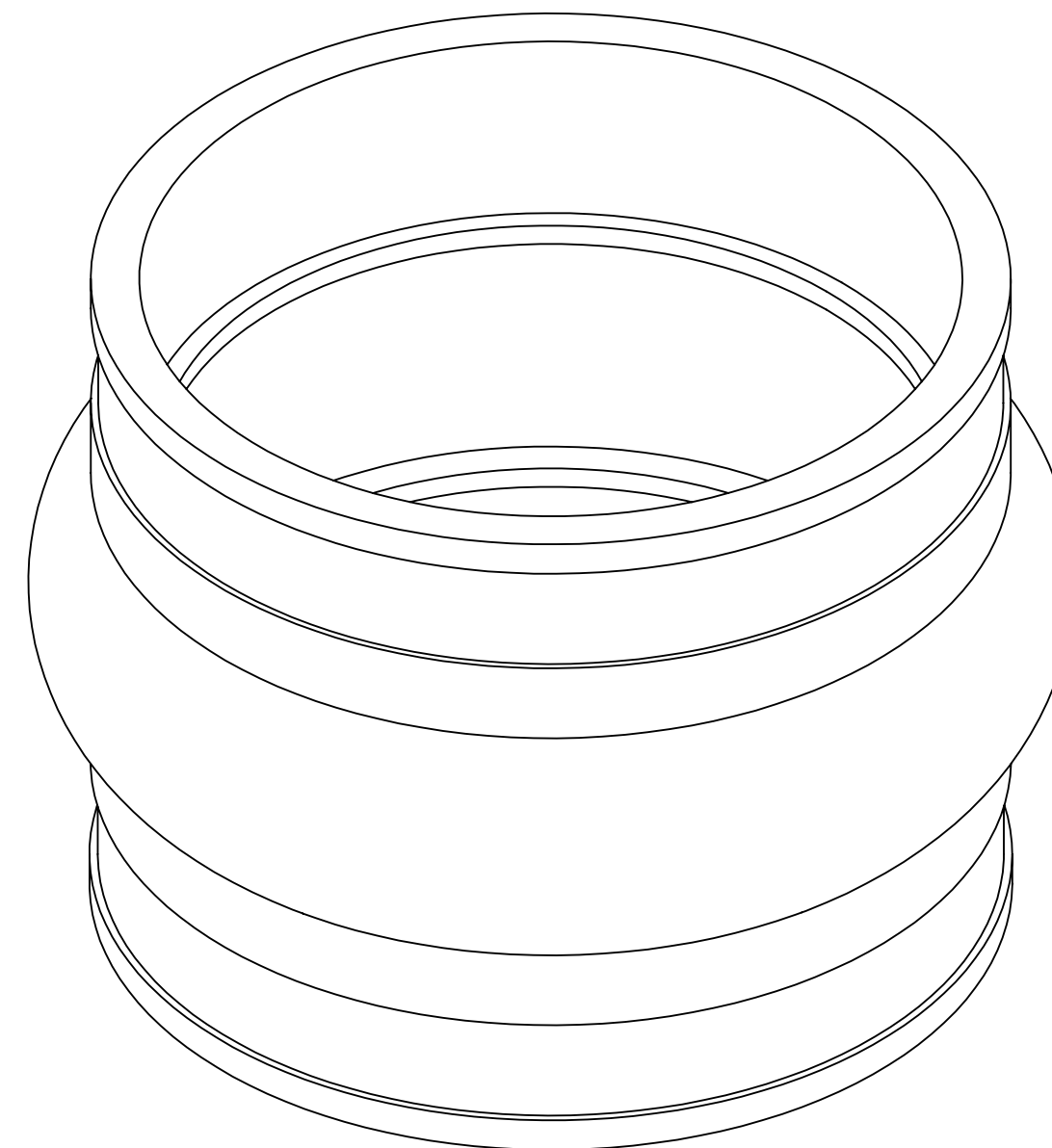
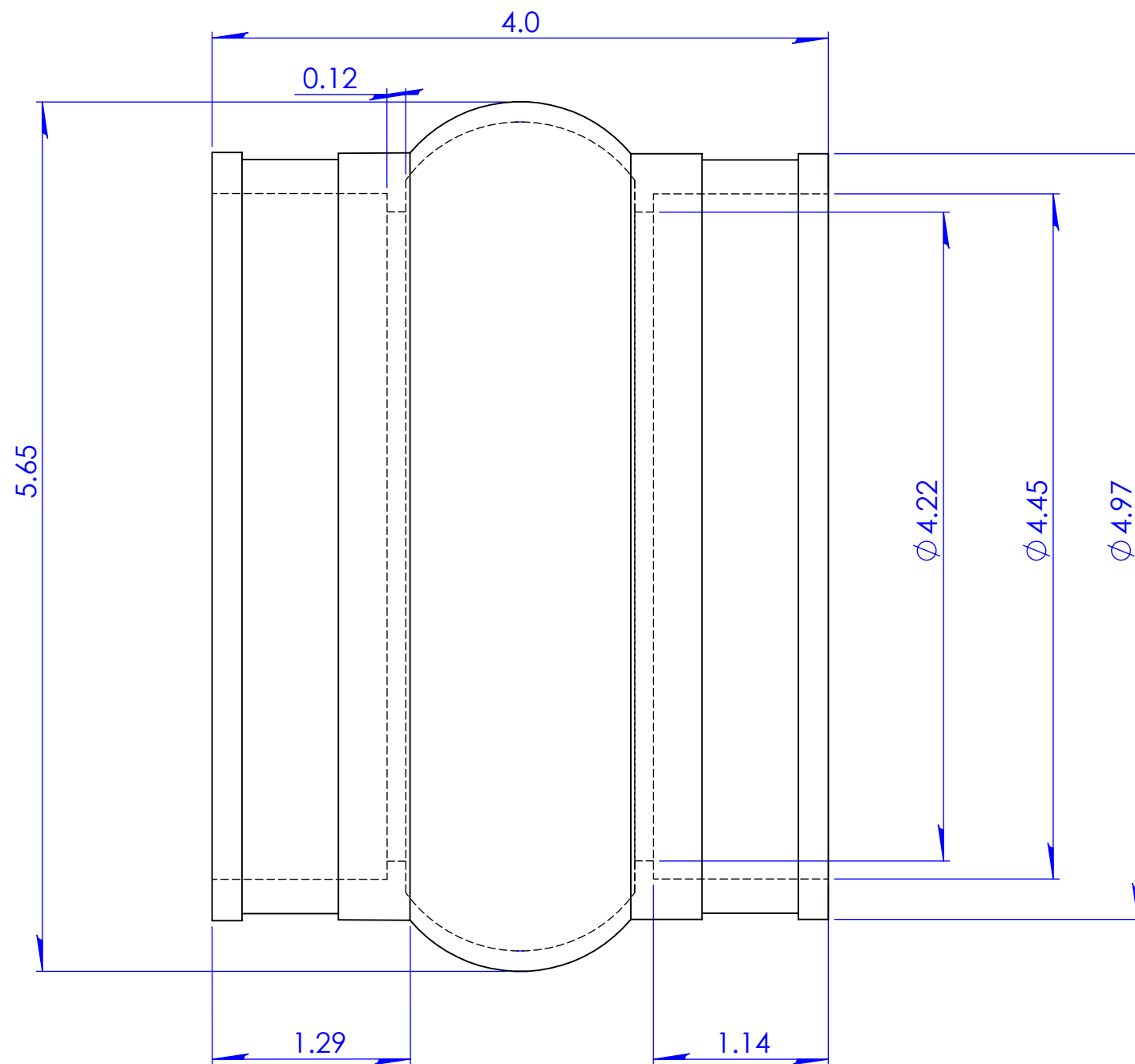


300 S. DAYTON ST.
 DAVISON, MI 48423
 PH: 810-653-9626
 FAX: 810-654-2616

XJ-4

DESCRIPTION:

Expansion Joint 4" PL to 4" PL



Accommodates 1 1/2" Pipe Expansion and 1/2" Pipe Contraction from Normal Position

PROPRIETARY AND CONFIDENTIAL
 THE INFORMATION CONTAINED IN THIS
 DRAWING IS THE SOLE PROPERTY OF
 FERNCO, INC. ANY REPRODUCTION IN
 PART OR AS A WHOLE WITHOUT THE
 WRITTEN PERMISSION OF FERNCO, INC.
 IS PROHIBITED.

TOLERANCES:
 .X= Fractional ±
 .XX= ±.06
 ANG.= +3°
 UNLESS OTHERWISE SPECIFIED

Part Weight	0.75 lbs.	Installation Torque	60" Lbs.
Min/Max Temp.	50/130 Degrees F	Conforms to	CSA B602
Pressure Tested	4.3 PSI	Clamps used	300 Series Stainless
Material	Flexible PVC 60 Duro Shore A	Box Quantity	20

UNITS:	SIZE:	DESIGNER:	SCALE:
INCHES	A	T. Dipzinski	not to scale
3RD ANGLE PROJECTION	CHECKER:	DATE:	SHEET 1 OF 1
DO NOT SCALE DRAWING		1/22/2016	